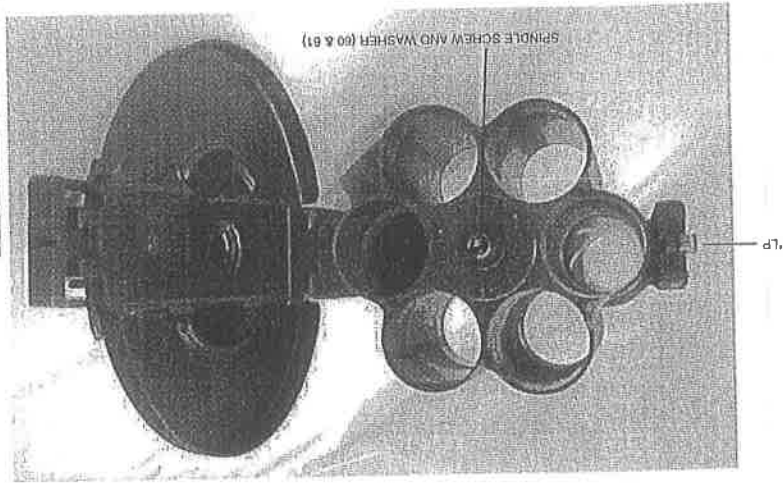
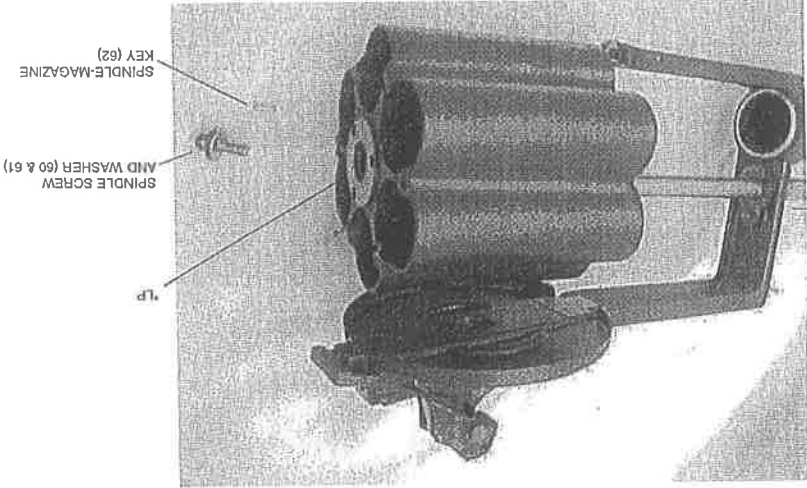
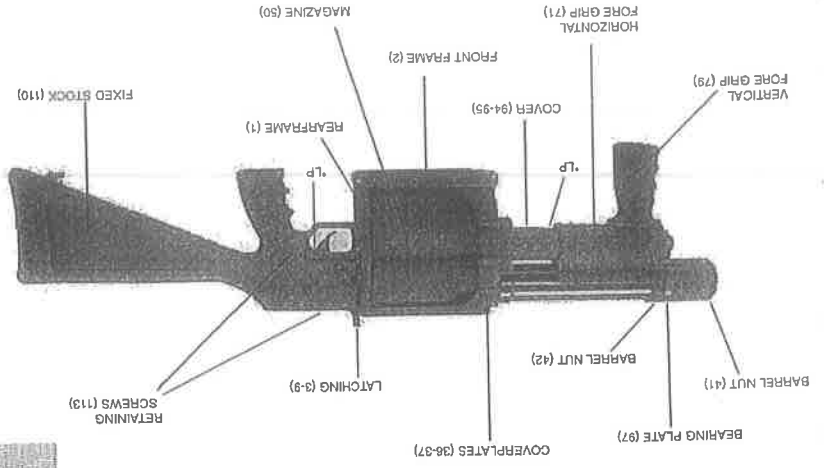


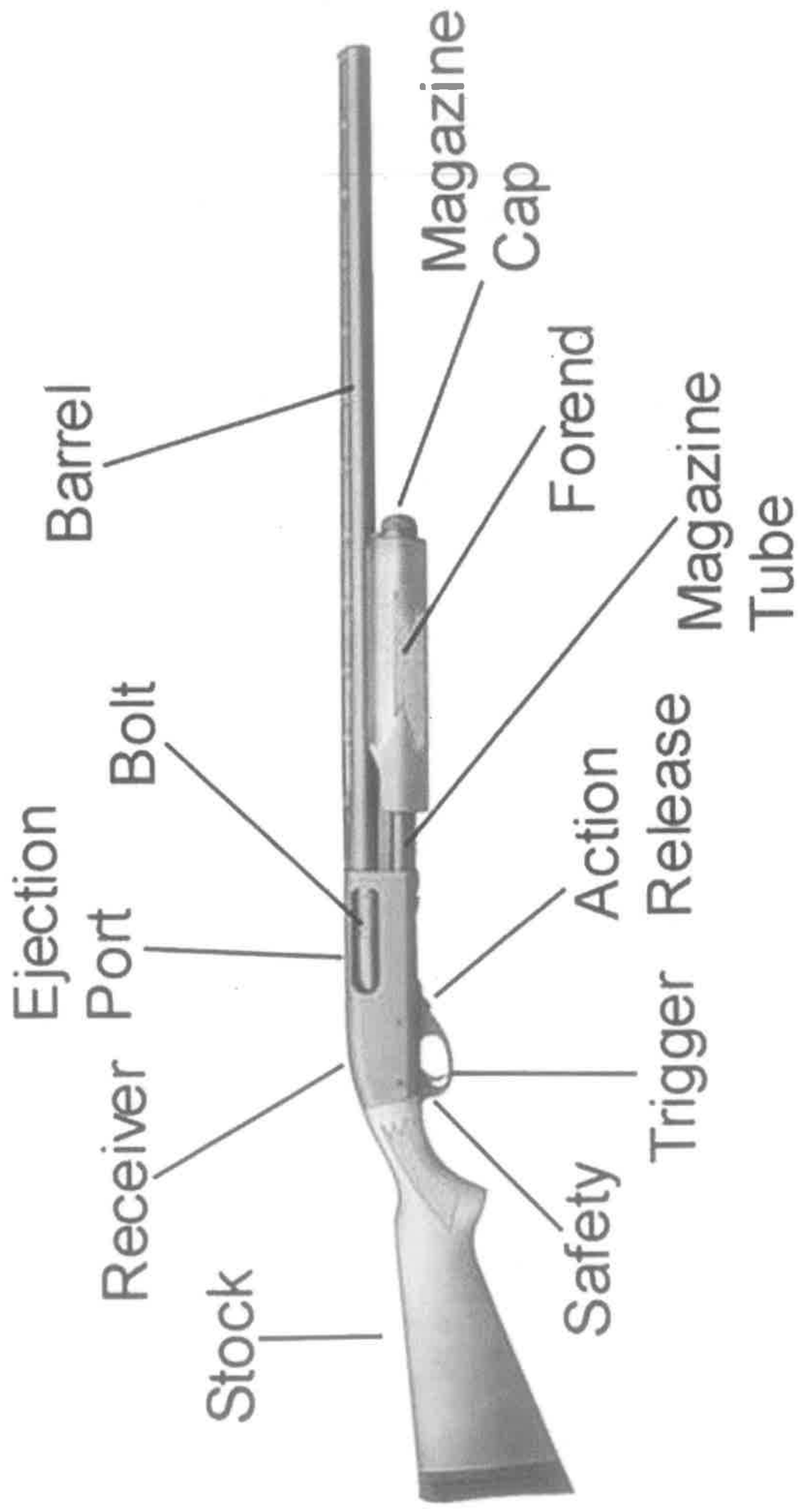
5. Cleaning Instructions

It is recommended that the launcher be cleaned and lubricated after each use. You do not have to disassemble any parts for cleaning, however, periodic removal of the magazine drum and stock for a more thorough cleaning is recommended.

General Cleaning

1. Remove all munitions.
 2. Clean the barrel and magazine chambers with a suitable media, brush, and cloth.
 3. Thoroughly dry all parts.
 4. Lubricate all moving parts (marked "*LP" on the drawings), including the magazine wearplates, the trigger mechanism (if the stock is not removed, you can spray lubricant through the trigger slot into the mechanism), and the pump mechanism.
- Note:** Use only good water repelling lubricant.







DEFENSE TECHNOLOGY™

PRODUCT SPECIFICATIONS

Diameter	1.60 in / 40 mm
Length	4.00 in / 10.2 cm
Projectile Count	1
Velocity	325 fps / 99 mps
Maximum Effective Range	120 feet / 36.6 meters

PROJECTILE SPECIFICATIONS

Material	Foam
Height	2.48 in / 6.3 cm
Diameter	1.60 in / 4.1 cm
Weight	1.10 oz / 30 g
Part No.	6325
Warranty	5 years from date of manufacture

All Specifications are Averages and Subject to Change

The eXact iImpact™ 40 mm Sponge Round has evolved from the design of the 40 mm XM1006 projectile, developed by the US Army Research Laboratory. It incorporates a lightweight, high-speed projectile consisting of a plastic body and a foam (sponge) nose that is spin stabilized via the incorporated rifling collar and the 40 mm launcher's rifled barrel. The Defense Technology® propulsion system utilizes smokeless powder as the propellant, delivering velocities that are extremely consistent.

The eXact iImpact™ 40 mm Sponge Round is a "point-of-aim, point-of-impact" direct fire round that is most commonly used by tactical teams in situations where maximum deliverable energy is desired for the incapacitation of an aggressive, non-compliant subject. In many municipalities, these are being selected for both tactical call outs and as an available option for patrol.

The eXact iImpact™ 40 mm Sponge Round is intended for direct fire deployment. The operator should be adequately trained in the use of Less Lethal Impact Munitions and have a thorough understanding of the round and considerations for selecting shot placement such as level of threat, target distance, size, and clothing.

The eXact iImpact™ 40 mm Sponge Round will prove most successful for incapacitation when used within its optimal energy range of approximately 5 – 36 meters, although it may be used in situations from 2 – 50 meters. The optimal zone offers the necessary energy and accuracy to target the large muscle groups of the buttocks, thigh, and even the knees of the subject. These areas provide sufficient pain stimulus, while greatly reducing serious or life-threatening injuries.



eXact iImpact™
40 MM SMOKELESS POWDER SPONGE ROUND

The eXact iImpact™ Sponge Round can also be deployed in crowd control situations to protect the riot line, cover or enhance chemical munitions, or targeting specific agitators and organizers of the crowd. When used in this fashion, it is primarily both a psychological deterrent and physiological distraction serving as a pain compliance device to either get the crowd or subject moving or keeping them at a designated distance.

WARNING: This product is to be used only by authorized and trained Law Enforcement, Corrections, or Military Personnel. This product may cause serious injury or death to you or others. This product may cause serious damage to property. Handle, store and use with extreme care and caution. Use only as instructed.



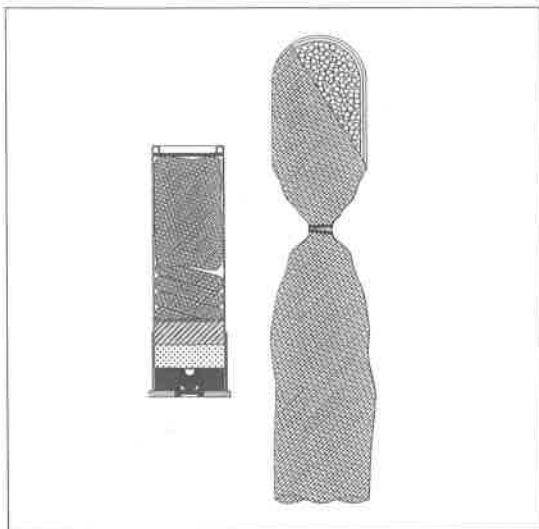
SAFARILAND

800.347.1200

www.safariland.com/lesslethal • www.defense-technology.com

WE ARE YOUR FORCE OPTION

MODEL No.	DESCRIPTION:
2581	12GA Super-Sock® Bean Bag
	Revision A 01/14



NOT TO SCALE

WARNING: CSI manufactures a variety of CTS less lethal products which are under pressure, pyrotechnic, incendiary, emit projectiles, generate smoke, or are explosive in nature. When used in accordance with CTS training guidelines and the individual agency's policy, they are intended to cause varying degrees of pain and injury, which are temporary. These products are restricted to law enforcement, corrections, and military personnel and are used to gain compliance, disperse crowds, restore order, or temporarily incapacitate dangerous persons. In rare circumstances, CTS less-lethal products may cause damage to property, serious bodily injury or death. Therefore, any person using the force option depicted on this page should receive proper training to ensure the safest and most effective use.

PHYSICAL & OPERATIONAL	
Type	Point Control Impact Munitions
Caliber	12 GA
Weapon Compatibility	Cylinder Bore, 18" Barrel Minimum
Cartridge Length	2.40" (61 mm)
Effective Range*	75' (25 M)
Projectile Weight	40 gm
Projectile Material	Shot Filled Ballistic Fiber
Overall Weight	51 gm
Velocity	270-290 ft./sec
Warranty	5 Years from Shipment Date
<p>All specifications are average and are subject to change without notice. All performance specifications are based on testing conducted in Jamestown, PA USA, At an elevation of 1,058 feet above sea level at ambient temperature conditions.</p>	

SHIPPING INFORMATION	
Proper Shipping Name	Cartridges for Weapons Inert Projectile
UN Number	0012
Hazard Class	1.4 S
Labels Required	Explosive 1.4S
Quantity Per Package	5 Cartridges in Cardboard Box
Total Package Weight	50 lb. (400 Cartridges)
Package Type	Fiberboard Box
Package Dimensions	17 x11 x 6
Net Explosive Weight	.23 gm

*The Model 2581 Super-Sock® is in its deployed state immediately upon exiting the barrel. It does not require a minimum range to "unfold" or "stabilize." The Super-Sock® is an aerodynamic projectile. However, accuracy is relative to the shotgun, barrel length, environmental conditions, and the operator. The Super-Sock® is very accurate. However, effectiveness depends on many variable, such as distance, clothing, stature, and the point where the projectile impacts.

CAUTION: Shots to the head, neck, thorax, heart, or spine can result in fatal or serious injury.